

GV-MFD120 1.3MP H.264 Low Lux Mini Fixed Dome



- 1.3 Megapixel Progressive Scan Low Lux CMOS
 - Dual streams from H.264 and MJPEG
 - Up to 30 fps at 1280 x 1024
 - Day and night function (electronic)
 - Built-in microphone
 - Memory card slot
 - Active Tampering alarm
 - Wide Dynamic Range (WDR)
 - Defog
 - Motion detection
 - Privacy mask
 - IP address filtering
 - iPhone, iPad, Android
 - PoE (Power over Ethernet)
 - Megapixel lens
 - Supports iPhone, iPad, Android & 3GPP
 - 31 languages on Web interface
 - ONVIF conformant
- * No Memory card slot & local storage function for Argentina.

Active Tampering Alarm

Tampered



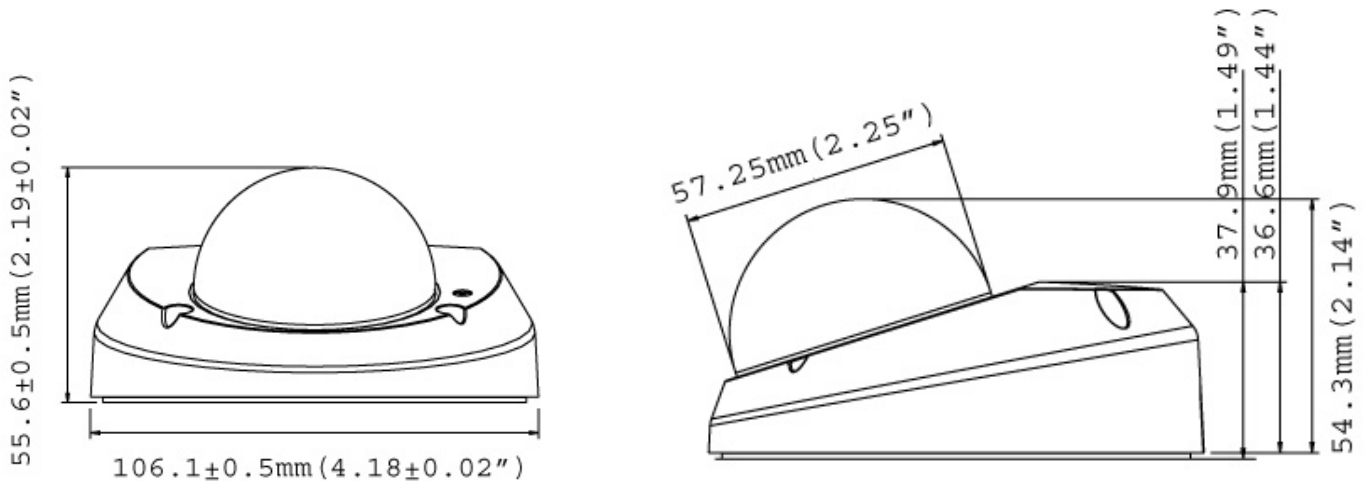
Focus Change



Camera Shift



Dimensions




Specifications

Camera		
Image Sensor		1/3" progressive scan CMOS
Picture Elements		1280 (H) x 1024 (V)
Minimum Illumination	Color	0.08 Lux at F/1.5
Shutter Speed		Automatic, Manual (1/5 ~ 1/8000 sec.)
White Balance		Automatic, Manual (2800K ~ 8500K)
Gain Control		Automatic
S/N Ratio		50 dB
BLC		Yes
Lens		
Megapixel		Yes
Day/Night		Yes (electronic)
Iris		Fixed
Focal Length		4.05 mm
Maximum Aperture		F/1.5
Mount		M12, Pitch 0.5 mm
Image Format		1/3"
Operation	Focus	Fixed
	Zoom	Fixed
	Iris	Fixed
Operation		
Video Compression		H.264, MJPEG
Video Streaming		Dual streams from H.264 and MJPEG
Frame Rate		30 fps at 1280 x 1024 * The frame rate and the performance may vary depending on the number of connections and data bitrates (different scenes).
Image Setting		Brightness, Contrast, Sharpness, Gamma, White Balance, Flicker-less 50/60 Hz, Image Orientation, Shutter Speed, Backlight Compensation , WDR Defog
Audio Compression		G.711, AAC (16 kHz / 16 bit) * AAC is only supported by GV-System V8.5 or later
Sensor Input		No
Alarm Output		No
Video Resolution		
Main Stream	4:3	1280 x 960, 640 x 480, 320 x 240
	16:9	1280 x 720, 640 x 360, 448 x 252
	5:4	1280 x 1024, 640 x 512, 320 x 256
Sub Stream	4:3	640 x 480, 320 x 240
	16:9	640 x 360, 448 x 252
	5:4	640 x 512, 320 x 256
Network		
Interface		10/100 Ethernet
Ethernet Protocol		HTTP, HTTPS, TCP, UDP, SMTP, FTP, DHCP, NTP, UPnP, DynDNS, 3GPP/ISMA, RTSP, PSIA, SNMP, QoS (DSCP), ONVIF
Mechanical		
Temperature Detector		Yes
Camera Angle Adjustment	Pan	-45° ~45°
	Tilt	0° ~ 90°
Connectors	Power	2-pin terminal block, PoE
	Ethernet	Ethernet (10/100 Base-T), RJ-45
	Audio	Built-in microphone
	Digital I/O	No
	Auto Iris	No
	Local Storage	Micro SD/SDHC/SDXC memory card slot (for Class 6 card or above)
	TV-Out	No

General		
Environment Temperature	0 °C ~ 50 °C (32 °F ~ 122 °F)	
Humidity	10% to 90% (no condensation)	
Power Source	12V DC / PoE (IEEE802.3af)	
Max. Power Consumption	4.5 W	
Dimensions	Camera Body	ø 106 x 55.6 mm (4.2 x 2.2")
	Cable Length	1 m (3.28 ft.)
	Cable Diameter	ø 8 mm (0.31")
	Maximum Connector Diameter	ø 28.5 mm (1.12")
Weight	275 g (0.61 lb)	
Regulatory	CE, FCC, C-Tick, RoHS compliant	
Power over Ethernet		
PoE Standard	IEEE 802.3af Power over Ethernet / PSE	
PoE Power Supply Type	End-Span	
PoE Power Output	Per Port 48V DC, 350mA. Max. 15.4 watts	
Web Interface		
Installation Management	Web-based configuration	
Maintenance	Firmware upgrade through Web Browser or Utility	
Access from Web Browser	Camera live view, video recording, change video quality, bandwidth control, image snapshot, digital I/O control, audio, Picture in Picture, Picture and Picture, Privacy Mask, Text Overlay	
Language	Arabic / Bulgarian / Czech / Danish / Dutch / English / Finnish / French / German / Greek / Hebrew / Hungarian / Indonesian / Italian / Japanese / Lithuanian / Norwegian / Persian / Polish / Portuguese / Romanian / Russian / Serbian / Simplified Chinese / Slovakian / Slovenian / Spanish / Swedish / Thai / Traditional Chinese / Turkish	
Applications		
Network Storage	GV-NVR, GV-System, GV-Backup Center, GV-Recording Server	
Smart Device Access	GV-Eye for Android smartphone, tablet, iPhone, and iPod Touch GV-Eye HD for iPad	
Live Viewing	IE, mobile phone	
CMS Server support	GV-Control Center, GV-Center V2, GV-VSM	

Note: Specifications are subject to change without notice.

Accessories

Name	Details
GV-PA191 PoE Adapter	 <p>Weight: 130 g (0.29 lb) Dimensions (H x W x D): 43 x 69 x 40 mm (1.69 x 2.72 x 1.57")</p>
Power Adapter	Power adapters are available in 4 regions: U.S.A., Australia, U.K and Europe.